




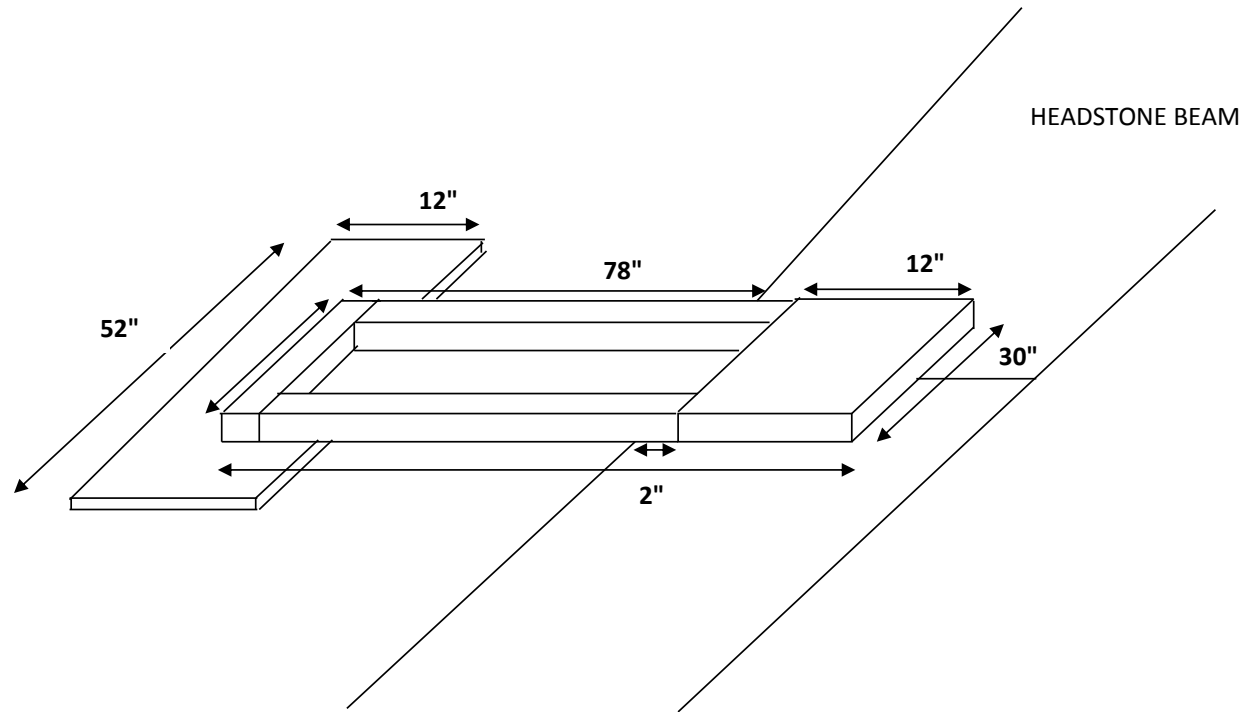


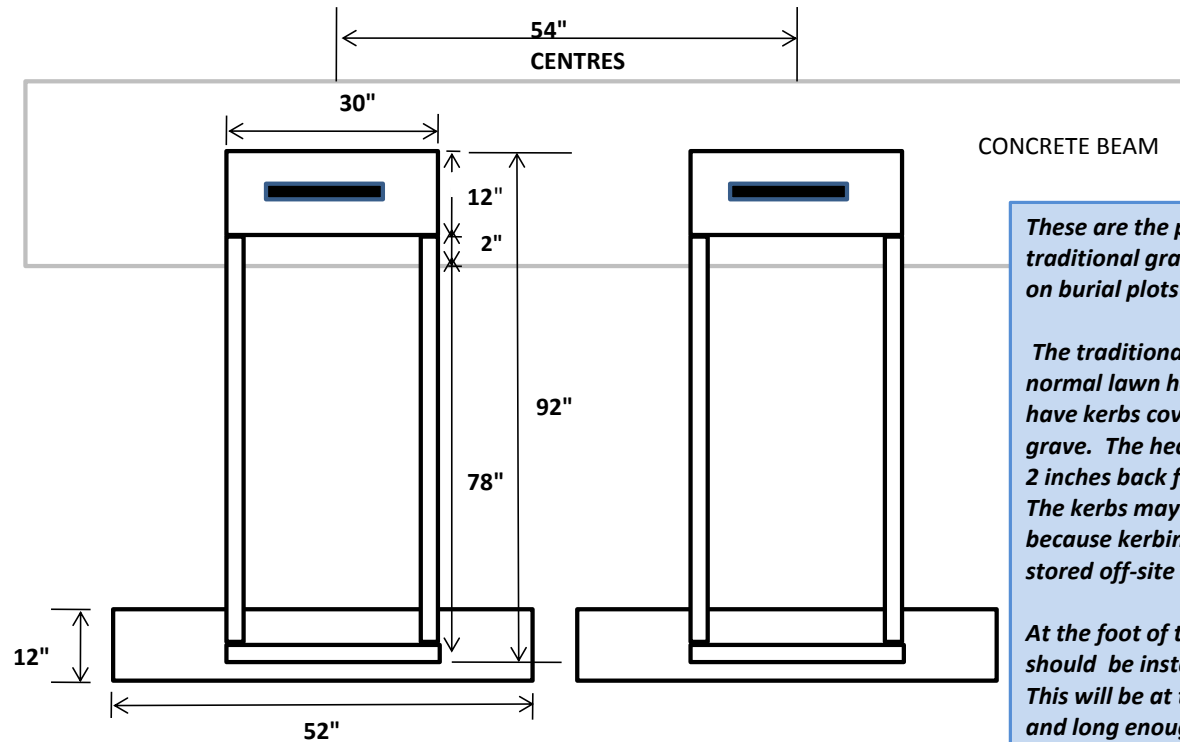
Memorial fixings required for cemeteries in the London Borough of Havering

					
	Lawn Headstone requires NAMM fixing to beam	Lawn Headstone requires NAMM earth anchor fixing	Traditional Headstone & Kerb on a single landing	Traditional Headstone & Kerb with separate headstone fixing to beam and separate kerb on landing & support lintel	Baby Traditional Headstone & Kerb on a single landing
CEMETERY	SECTION	SECTION	SECTION	SECTION	SECTION
UPMINSTER Ockendon Rd Upminster RM14 2UY	A 260-323 A 993 – 1059 AA1 – 24 AAA,EE,J,K,K0,L0, M,N,T,R,W,BB,CC	A 2627 – 2934 A 1123 - 3417 E 1879 – E2166 E 2951 – 3429 G Section	-Section A Section C Section D Section E 690 -776	BB CC DD (Where grave no. ends with TR)	H, LB, I, ,X,P
ROMFORD Crow Lane Romford RM7 OBH	NN 441-1251 NN1711-1762 NN4001-4062 MU	MM 1751-2568 NN 1-440 NN 1250-1710 NN 1763-2232	- Section A-Z AA-LL MM LLA		-Section A-Z AA-LL NN
HORNCHURCH High Road, Hornchurch RM12 6PA		A3009-5029 CC1-CC4 D804-808a C289-343c E 93 - 190	A 1-3008a AA AAA C1-388 D1 – 900 E1 - 92 F1 – 201 Z		B1 102 B103-228 B233-369 G1-37
RAINHAM Upminster Road North Rainham RM13 9RY		A 340 – 830 ,C,DD	A 1 - 339 B,D		B Section
Maximum Memorial Size	Headstone: 3'6" high x 2'6"wide Garden Space: 18" from front of headstone	Headstone: 3'6" high x 2'6"wide Garden Space: 18" from front of headstone	Sizes vary dependant on cemetery	Sizes vary dependant on cemetery	Headstone: 3' high x 2'wide Base: 4' length x 2' wide

UPMINSTER CEMETERY, TRADITIONAL GRAVE, BASE DIMENSIONS, ON BURIAL PLOTS WITH THE SUFFIX "TR"



UPMINSTER CEMETERY, TRADITIONAL GRAVE DIMENSIONS, CENTRE SPEC, ON GRAVES WITH THE SUFFIX "TR"



MAXIMUM MEMORIAL HEIGHT 42"

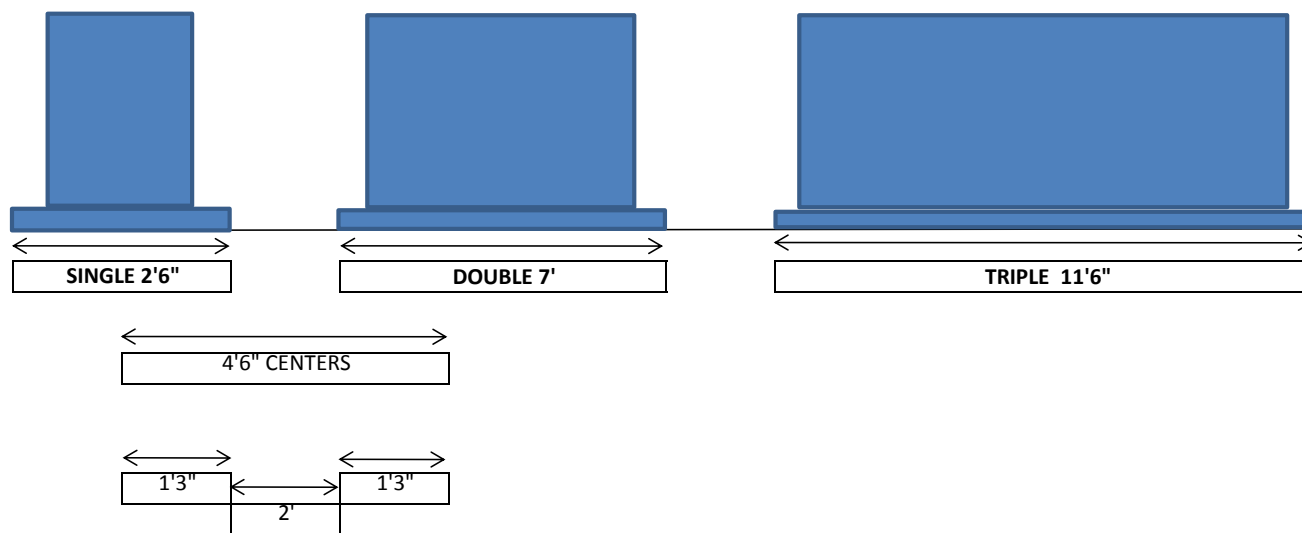
These are the permitted dimensions for a traditional grave in Upminster Cemetery, on burial plots with the suffix "TR".

The traditional graves are made up of a normal lawn headstone and base, but can have kerbs covering the full length of the grave. The headstone base must be placed 2 inches back from the front of the beam. The kerbs may not be fixed using dowels because kerbing must be removed and stored off-site when the grave is reopened.

At the foot of the grave a concrete landing should be installed by the stone mason. This will be at the required measurements and long enough to sit on virgin soil to help prevent movement.

The area within the kerbing may be planted or filled with chippings but items must be easily removable for reopening.

MAXIMUM DIMENSIONS OF MEMORIALS IN SELECTED SECTIONS OF UPMINSTER CEMETERY*



***THESE DIMENSION APPLY TO UPMINSTER CEMETERY ONLY AND ONLY ON SECTIONS T,R,W,BB,CC AND DD,
AND ALL PLOTS WITH SUFFIX TR**

For all other plots, please enquire at the office, South Essex Crematorium Ockendon Road, Corbets Tey, Upminster RM14 2UY or telephone 01708

434433